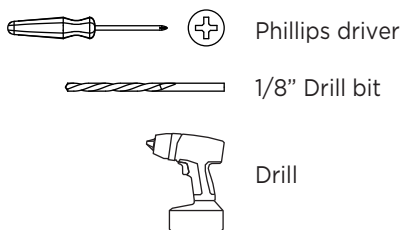


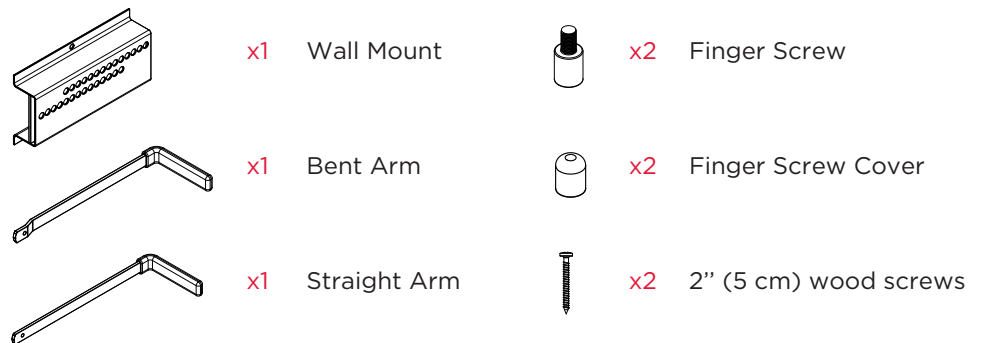
SPORTS BOARD HANGER | PAB-1R INSTRUCTIONS

WWW.RACORSTORAGESOLUTIONS.COM

TOOLS REQUIRED



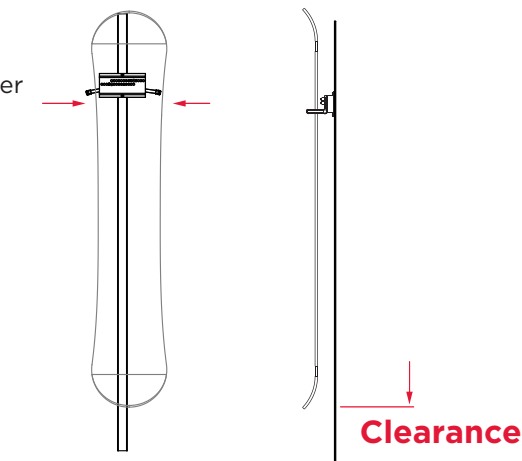
PARTS LIST



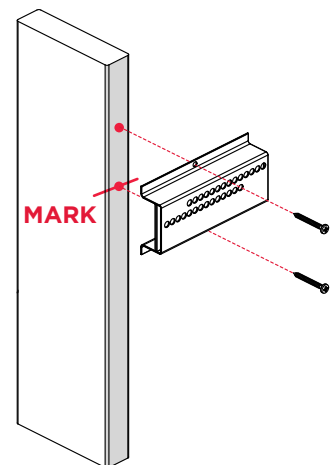
WARNING

Please read installation instructions carefully prior to installing. Before using the product thoroughly test the fully-weighted product (with equipment in place) to ensure the product has been installed properly. Do not allow children to play on product. ITW Brands is not responsible for any damage resulting from improper installation, overloading or product failure.

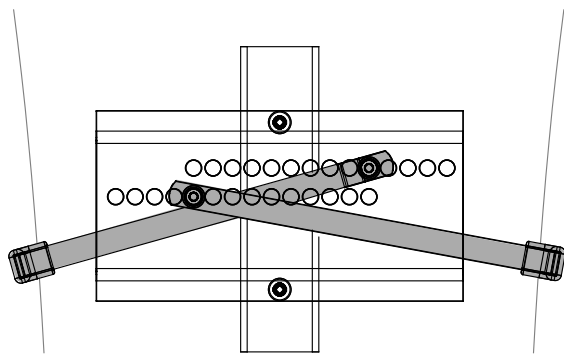
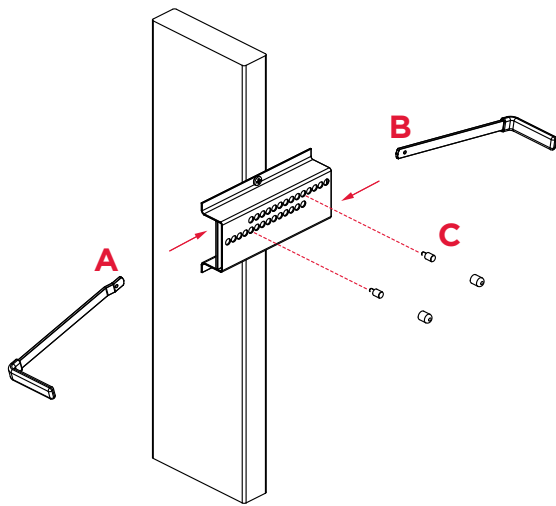
NOTE: The Sport Board Hanger can accommodate boards between 7.5" and 17".



1 Verify the height of the hook is at a convenient location and that the board has adequate clearance once hanging.



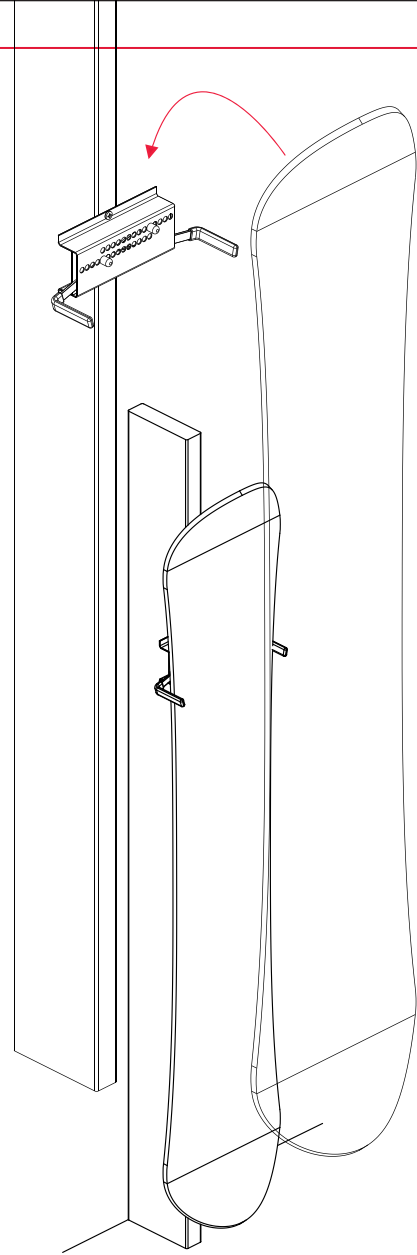
2 Mark holes through bracket mounting plate, drill 1/8" pilot holes and install screws into stud. Tighten screws firmly.



- 3** Insert bar with bent end into the left side and attach to the top row of holes with provided small screw.

Insert arm with flat end into the right side and attach to the bottom row of holes with provided small screw.

Adjust arm width to accommodate your board by making arms slightly smaller than board width when the arms are in the down position (no board in rack).



A USING THE BRACKET

The Sport Board Hanger can accommodate boards between 7.5" and 17" (snow, skate, wake etc.). Simply adjust the hanger arms to the right width and place the board in between the arms of the rack.

Limited Warranty: These products are sold "as is" without any express or implied warranties. ITW Brands' sole liability, if any, shall be to replace this product or refund the purchase price. The performance of these products is subject to variable conditions and maximum load ratings are shown for comparison purposes only.

PAB-1R

Made in China

ITW Brands, A division of Illinois Tool Works Inc.
955 National Parkway, Suite 95500
Schaumburg, IL 60173
800-783-7725

www.RacorStorageSolutions.com
Email: racorcs@itwbrands.com

© 2011 Illinois Tool Works Inc.
Racor and Racor logo are registered trademarks of Illinois Tool Works Inc.



Thank you for purchasing this product. Racor storage and organizational solutions will inspire and put you back in control of your space. Racor has the largest variety of solutions to organize and store bikes, sports equipment, lawn and garden supplies, bulky items like ladders and totes, and clutter items like tools. Please visit www.RacorStorageSolutions.com for other great organizational products.