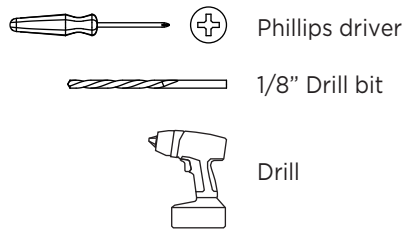


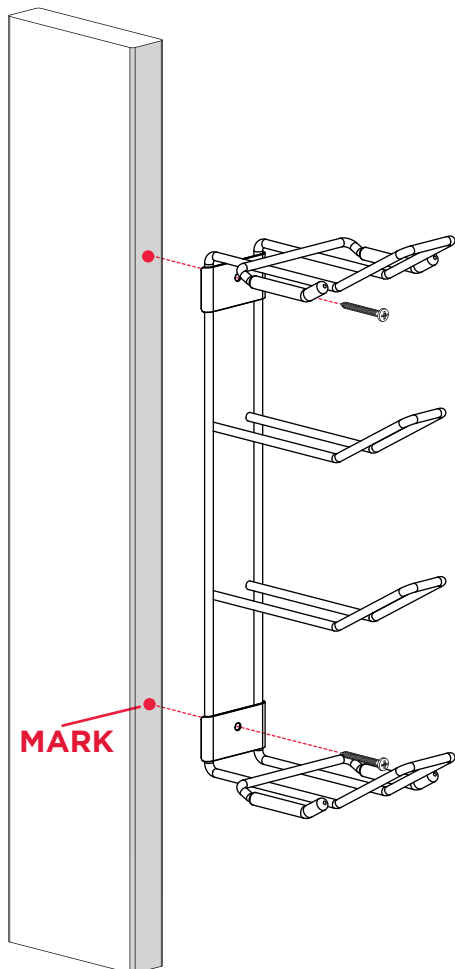
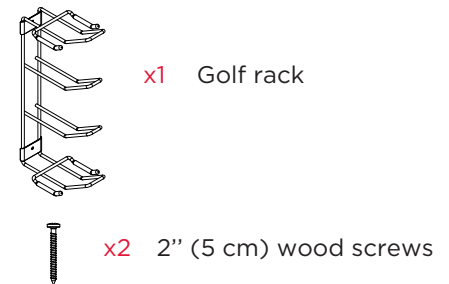
## GOLF STORAGE HANGER | PG-2R INSTRUCTIONS

[WWW.RACORSTORAGESOLUTIONS.COM](http://WWW.RACORSTORAGESOLUTIONS.COM)

### TOOLS REQUIRED



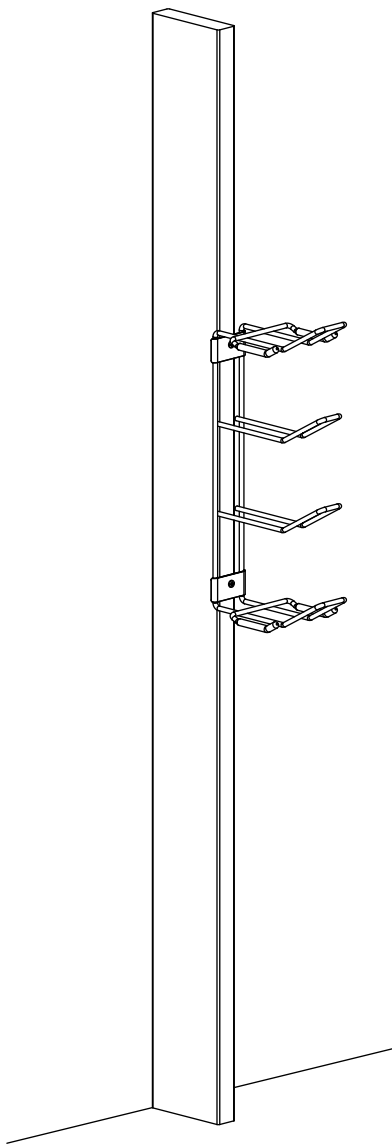
### PARTS LIST



### WARNING

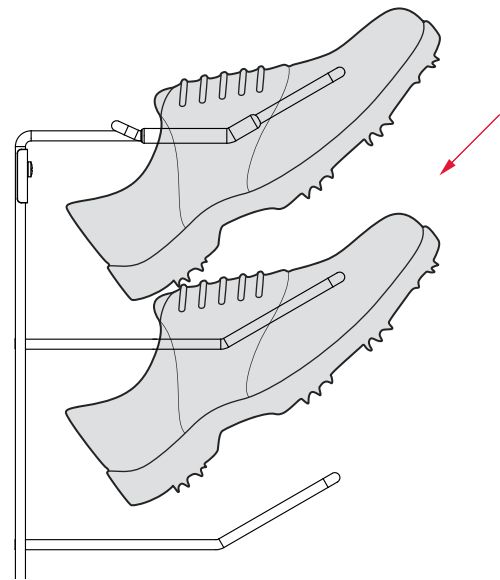
Please read installation instructions carefully prior to installing. Before using the product thoroughly test the fully-weighted product (with equipment in place) to ensure the product has been installed properly. Do not allow children to play on product. ITW Brands is not responsible for any damage resulting from improper installation, overloading or product failure.

- 1 Mark holes through level rack mounting plates, drill 1/8" pilot holes and install screws into stud. Tighten screws firmly.



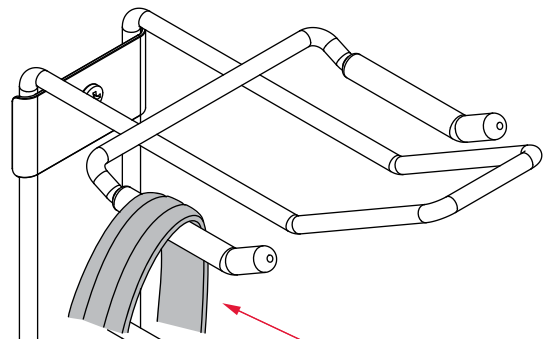
**A USING THE GOLF RACK**

Hang golf bags on either side and place shoes on center hooks as shown.



**B SHOE PLACEMENT**

2 pairs of shoes may be placed on the rack by sliding them onto the wire loops either upside down or rightside up.



**C BAG PLACEMENT**

Golf bags are stored on the rack by hanging either carrying handles or shoulder straps over side hooks.

**Limited Warranty:** These products are sold "as is" without any express or implied warranties. ITW Brands' sole liability, if any, shall be to replace this product or refund the purchase price. The performance of these products is subject to variable conditions and maximum load ratings are shown for comparison purposes only.

**PG-2R**

Made in China

ITW Brands, A division of Illinois Tool Works Inc.  
955 National Parkway, Suite 95500  
Schaumburg, IL 60173  
800-783-7725

[www.RacorStorageSolutions.com](http://www.RacorStorageSolutions.com)  
Email: [racorcs@itwbrands.com](mailto:racorcs@itwbrands.com)

© 2011 Illinois Tool Works Inc.  
Racor and Racor logo are registered trademarks of Illinois Tool Works Inc.



Thank you for purchasing this product. Racor storage and organizational solutions will inspire and put you back in control of your space. Racor has the largest variety of solutions to organize and store bikes, sports equipment, lawn and garden supplies, bulky items like ladders and totes, and clutter items like tools. Please visit [www.RacorStorageSolutions.com](http://www.RacorStorageSolutions.com) for other great organizational products.